

I200 Series Hose Reel

This series of hose is a industrial purpose reel accommodating many aspects high strength multi purpose reeling, for higher volume flows up to 3/4" hose for air to high pressure grease applications. With a superior power spring to recall all hose, greased and sealed into contained non-removable spring box.

Applications:

- Air
- Water
- Oils and Lubricants
- Grease
- Other Fluids

Suitable Hose Sizes:

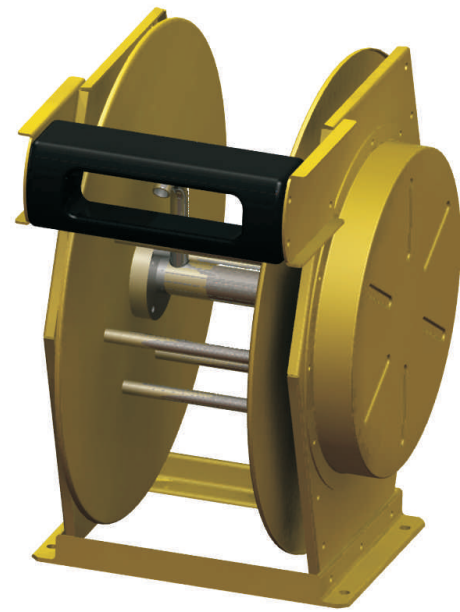
- 25m x 3/8" Air, Oil, Grease Hose
- 25m x 1/2" Air, Oil Grease Hose
- 20m x 3/4" Air, Oil Hose

Swivels Options:

- 3/4" 200 Bar Steel for General Purpose Lubricant
- 1/2" 120 Bar Brass Swivel for Waters and Gas
- 1/2" 600 Bar Steel for High Pressure Grease

Manufactured Materials:

- Hose Guide & Bosses
 - UV stable High Strength Polymers
- Base, Drum and Brackets
 - Powder-coated mild Steel
- Power Spring
 - Extra Heavy Duty
 - Blue Tempered Spring Steel
- Shaft
 - Heavy duty 40mm OD Mild Steel
 - Zinc Plated
- Nuts and Bolts
 - High Tensile Zinc Plated
- No Aluminum Parts
 - Safe underground

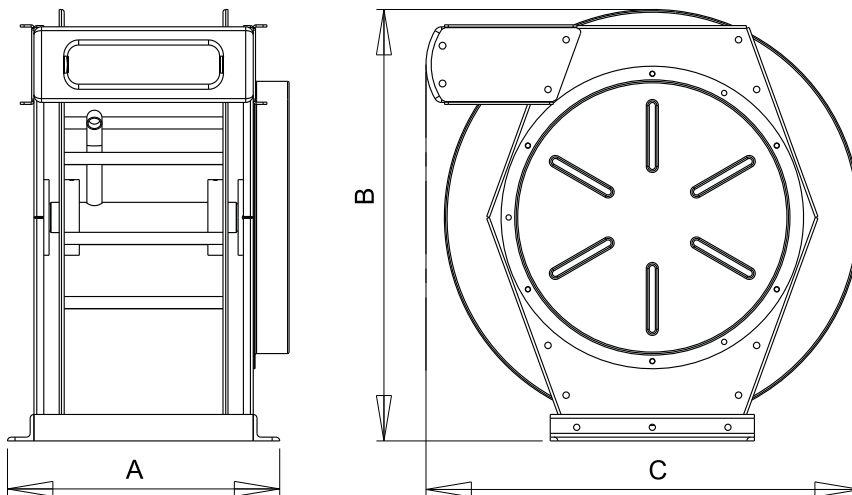


Other Similar Reels:

- I200
 - For Oxy & Acetylene Cutting
- G150HW
 - For Long Length hand wide applications

Custom Reels:

- Electric Drives
 - Hydraulic Drives
 - Cable Reels & More
- Custom designed trailers / vehicular requirements with full dispensing to reduce down time.



A = 360 mm
B = 570mm
C = 575 mm

Weight = 30kg