

I250 Series Hose Reel

This series of hose is a industrial purpose reel accommodating many aspects high strength multi purpose reeling, for higher volume flows of 3/4" hose for air, oils, fuels* or lubricants. With a superior power spring to recall all hose, greased and sealed into contained non-removable spring box.

Applications:

- Air
- Water
- Oils and Lubricants
- Diesel
- Grease
- Other Fluids

Suitable Hose Sizes:

25m x 3/4" Air, Oil Hose

Swivels Options:

3/4" 200 Bar Steel for General Purpose Lubricant
Custom Applications available

Manufactured Materials:

- Hose Guide & Bosses
 - UV stable High Strength Polymers
- Base, Drum and Brackets
 - Powder-coated mild Steel
- Power Spring
 - Extra Heavy Duty
 - Blue Tempered Spring Steel
- Shaft
 - Heavy duty 40mm OD Mild Steel
 - Zinc Plated
- Nuts and Bolts
 - High Tensile Zinc Plated
- No Aluminum Parts
 - Safe underground

* Diesel Fuels, No safety Rating for Petrol.



Other Similar Reels:

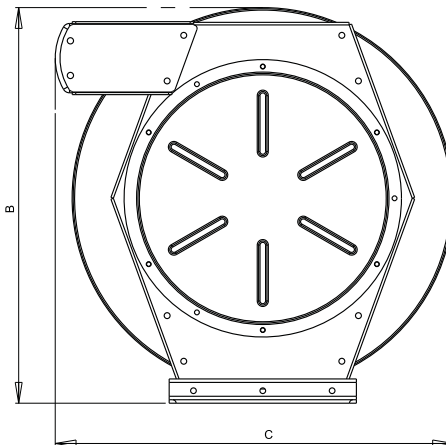
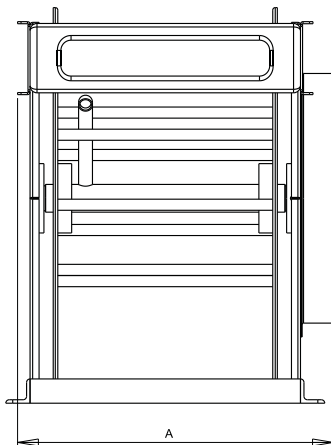
I200 TW
For Oxy & Acetylene
Cutting

G150HW
For Long Length hand
wide applications

Custom Reels:

- Electric Drives
- Hydraulic Drives
- Cable Reels & More

Custom designed trailers /
vehicular requirements with
full dispensing to reduce
down time.



A = 455 mm
B = 570mm
C = 575 mm

Weight = 40kg