

I600 Series Hose Reel

This series of hose is a industrial purpose reel accommodating many aspects high strength multi purpose reeling, for higher volume flows of 1 ¼" to 1 ½" hose for air to oil applications. With a superior power spring to recall all hose, greased and sealed into contained non-removable spring box.

Applications:

- Air
- Water
- Oils and Lubricants
- Diesel and Other Fluids

Suitable Hose Sizes:

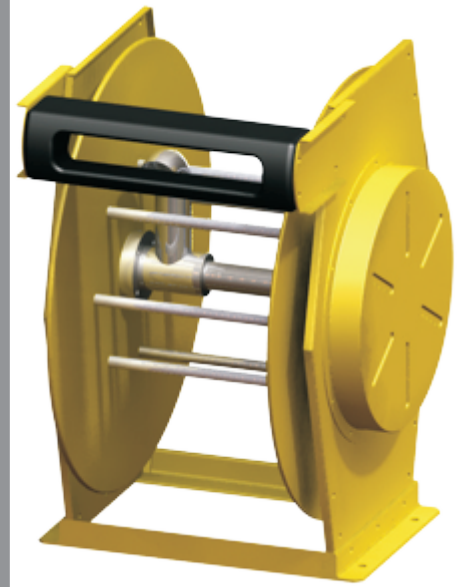
12m x 1 ½" Air, Oil, Diesel Hose

Swivels Options:

1 ½" 120 Bar Steel for General Purpose Lubricant

Manufactured Materials:

- Hose Guide & Bosses
 - UV stable High Strength Polymers
- Base, Drum and Brackets
 - Powder-coated mild Steel
- Power Spring
 - Extra Heavy Duty
 - Blue Tempered Spring Steel
- Shaft
 - Heavy duty 60mm OD Mild Steel
 - Zinc Plated
- Nuts and Bolts
 - High Tensile Zinc Plated
- No Aluminum Parts
 - Safe underground



Other Similar Reels:

I400

For 1" Applications

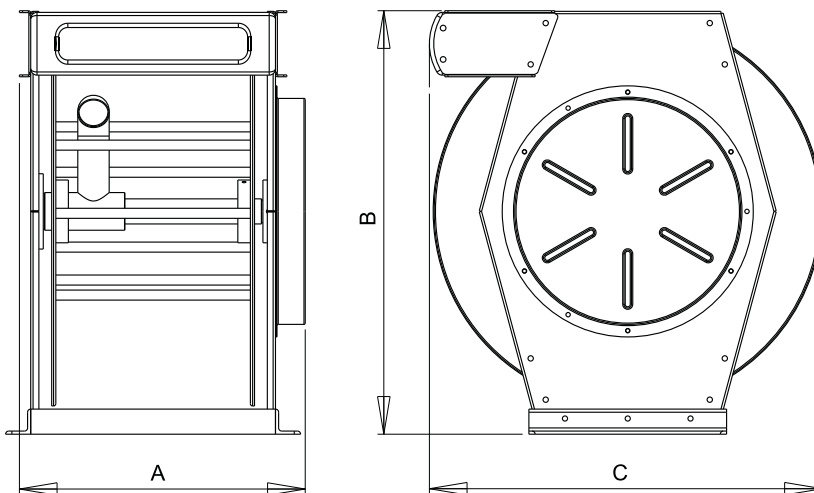
I250

For 3/4" Applications

Custom Reels:

- Electric Drives
- Hydraulic Drives
- Cable Reels & More

Custom designed trailers / vehicular requirements with full dispensing to reduce down time.



A = 475 mm

B = 675mm

C = 625 mm

Weight = 50kg